

NETGEAR™

Remote Access **ISDN Router** MODEL **RT328**

The NETGEAR RT328 ISDN Router provides Internet access, LAN-to-LAN intranet connection, and remote access for a single user, a small business, or a branch office over ISDN. The RT328 combines the latest in networking technology, found only in high-priced business models, with ease-of-use designs and a price affordable for the average home office.



Standards and ISP compatibility

Compatible with all major Internet ISDN equipment, the RT328 is an ideal router for Internet access, LAN-to-LAN connection, and remote access for a single user, a small business, or a branch office over basic rate ISDN.

High performance

Industry-standard Multilink PPP and BACP speed up large transfers by automatically adding more bandwidth for a combined 128 Kbps — higher with compression (Ascend compatible).

GUI/DHCP to simplify installation

Configuration and monitoring is easy with a Windows 95-based GUI or, alternatively, a built-in configuration manager via Telnet or serial connection. The RT328 can automatically assign IP, gateway, and DNS addresses for the LAN using the Dynamic Host Configuration Protocol (DHCP).

dNAT+ to save ISP and toll charges

Implements extended dynamic Network Address Translation (dNAT+), which enables an entire workgroup to access the Internet using a single-user account, with either a static or dynamically assigned IP address. The router also provides dial-on-demand, bandwidth-on-demand, and spoofing to minimize connection charges.

Firewall security and control

Provides callback with password protection, PAP/CHAP, and caller ID for security. Dynamic NAT+ provides an added firewall by hiding the local IP addresses from the outside. Eleven front-panel LEDs provide rich, at-a-glance information, and flash memory allows easy firmware upgrade and provides investment protection.

All-in-one convenience

Offers two analog phone ports and both 10 BASE-T and AUI LAN connections. The North American Model RT328U provides a built-in NT1.

DYNAMIC NAT+

**TWO ANALOG
PHONE PORTS**

**DHCP AUTO-
CONFIGURATION**

**WINDOWS 95
BASED
CONFIGURATION**

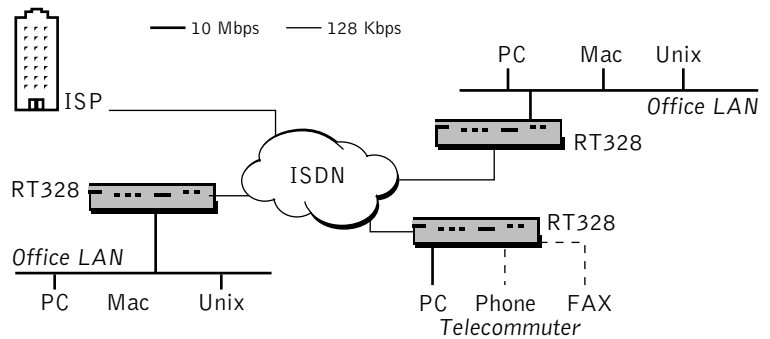
KEY FEATURES

- Standards and ISP compatibility
- High performance
- GUI/DHCP to simplify installation
- dNAT+ to save ISP and toll charges
- Firewall security and control
- All-in-one convenience

PACKAGE CONTENTS

- RT328 ISDN Router
- AC power adapter
- Ethernet cable, normal wiring
- Ethernet cable, crossover wiring
- ISDN cable
- 9-pin serial cable
- 9-pin to 25-pin serial adapter
- Reference manual
- Getting Started Using FirstGear manual
- FirstGear installation diskette
- Warranty/registration card

NETGEAR Inc.
 A Bay Networks Company
 48105 Warm Springs Blvd.
 Fremont, CA 94539
 USA
 Phone: 510-490-4774
 Toll free: 1-888-NETGEAR
<http://NETGEAR.baynetworks.com>



SPECIFICATIONS

Routing Protocols	TCP/IP, RIP, Filtering
WAN Protocols	PPP, Multilink PPP, BACP
IP Address Protocols	dynamic NAT+, DHCP
ISDN Standards	National ISDN-1 (North America) AT&T 5ESS Custom (North America) Nortel DMS-100 (North America) EuroISDN DSS1 (Europe)
Security	PAP, CHAP, Caller ID, Call Back
Data Compression	Hi/fn LZS (Stac) Compression with CCP
Upgradability	Flash program memory
Status LEDs	power, test ISDN: D, B1, B2 LAN: link, tx, rx, collision Phones: 1 and 2
Ethernet Interfaces	10BASE-T (UTP) and AUI
Phone ports	Voice/fax/modem 3 REN
Dimensions	253 x 181 x 35 mm (9.95 x 7.1 x 1.4")
Weight	1.3 kg (44.5 oz.)
Power Adapter	16VAC, 1A (22W max) UL/CSA (North America) CE/TUV (Europe) TMark (Japan)
Environmental Specifications	Operating temperature: 0°C to 40°C Operating humidity: 90% maximum relative humidity, noncondensing
Electromagnetic Emissions	FCC Part 15 Class B EN 55 022 (CISPR 22), Class B
Warranty	5 years



NETGEAR™ is a trademark of Bay Networks, Inc. Other brand and product names are trademarks or registered trademarks of their respective holders. Information is subject to change without notice. All rights reserved.